

Cila

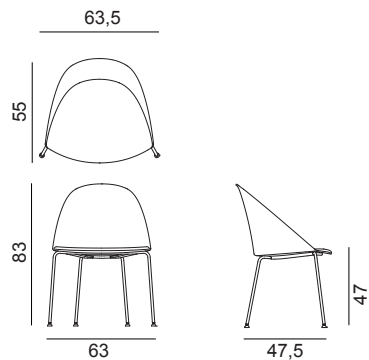
Design by Lievore Altherr, 2017

Art. 2201

Chair with four-leg base made of chromed or powdercoated steel. Polypropylene shell available in five colours, with seat cushion in leather, coated fabric, fabric or customer's own material. Optional glides with felt for wooden floors are available upon request.



Dimensions *



* File CAD 2D - 3D available for download at www.arper.com

Frame Base



Shell

Polypropylene



arper

info@arper.com

www.arper.com


Cila

Design by Lievore Altherr, 2017

SHIPMENT DETAILS

Art.2201

1 pz = 2  - kg 11,99/ m³ 0,337

4 pz = 2  - kg 33,67/ m³ 0,501

TECHNICAL SPECIFICATIONS

Art.2201

COL requirement m² 0.756

H 140 cm. COM Meterage m 0.41

RESISTANCE TEST

- TUV GS (EN16139)

FIRE RETARDANT TEST

ENVIRONMENTAL CERTIFICATIONS



arper

www.arper.com
info@arper.com

www.arper.com